

1188861
MASONRY 750 PLUS 400V 50HZ

3236270_1188861_R02W - R02W (4/12/2020)



Access Platform Division

Via San Francesco d'Assisi, 8 - 46020 Pegognaga (Mantova) - ITALY Tel. +39 0376
554011 - Fax +39 0376 559855

www.imergroup.com

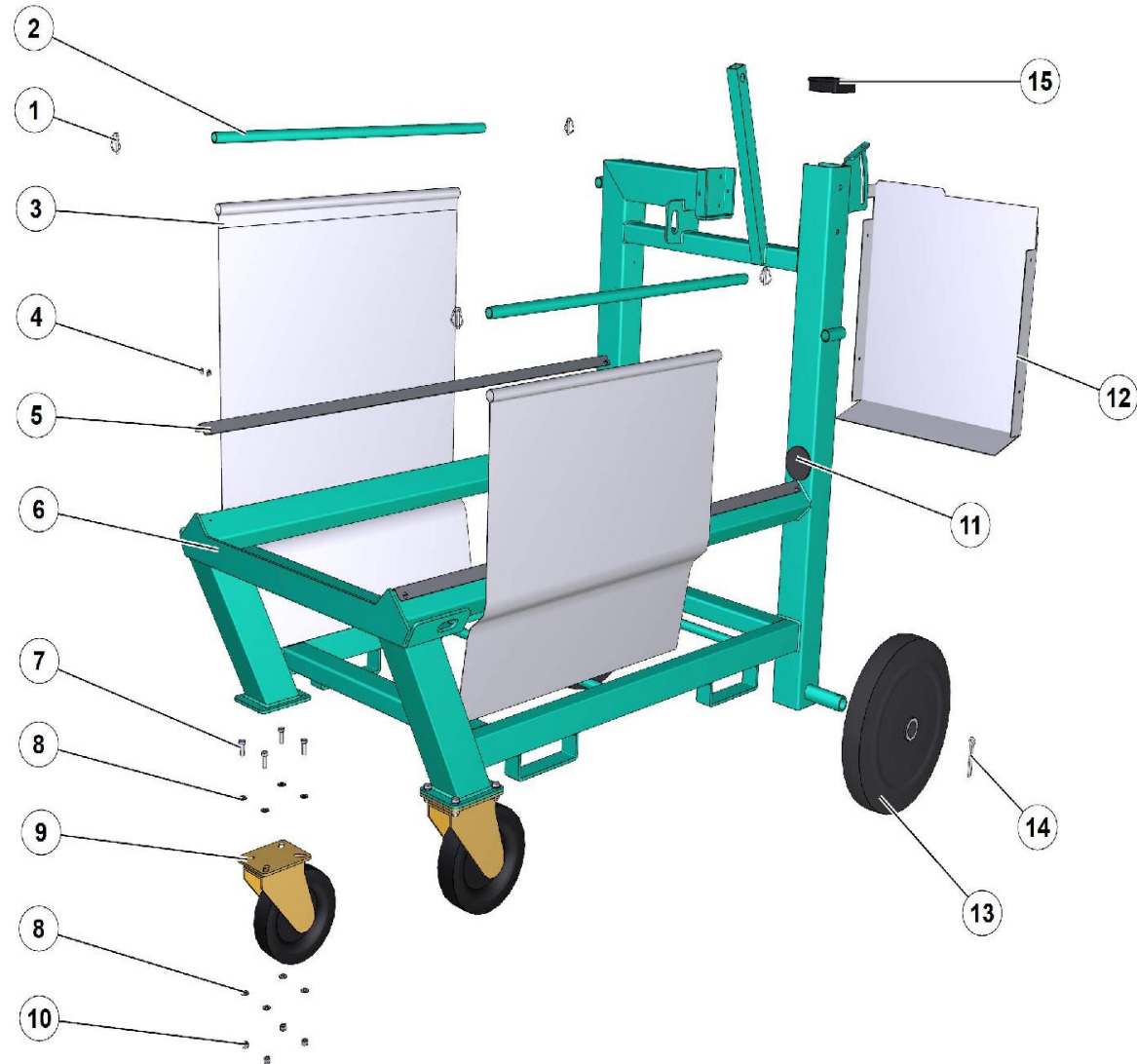
Building Equipment Division

Via della Meccanica, 39 (Zona Industriale Sentino) - 53040 Rapolano Terme
(Siena) - ITALY - Tel. +39 0577 97341 - Fax +39 0577 704077

www.imergroup.com

www.imerglobalcustomercare.com

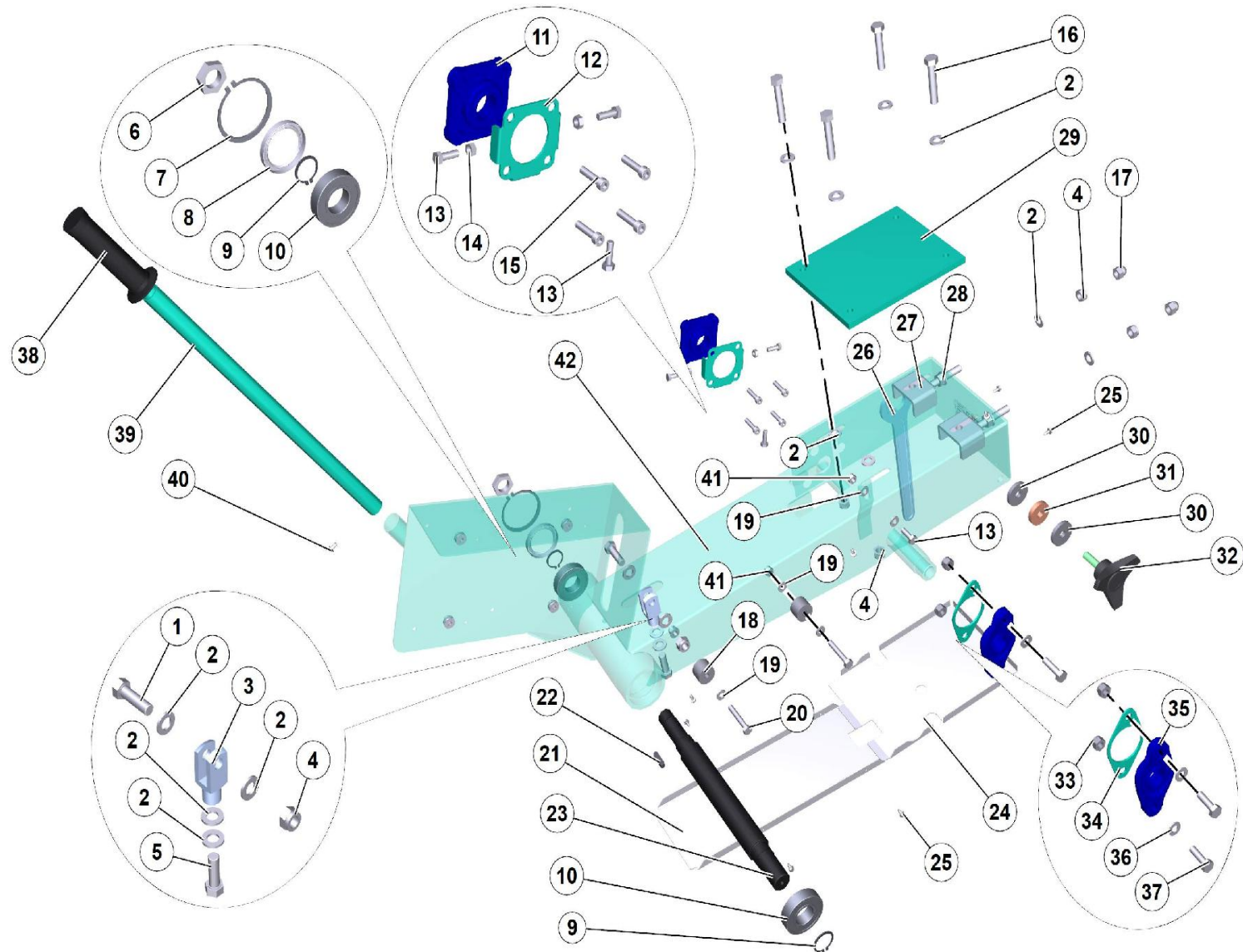
FRAME PART 1





N.	CODE	DESCRIPTION	UM	QTY
1	3224628	SPLIT PIN	PZ	4
2	3228543	SUPPORT	PZ	2
3	3228472	SPRAY GUARD	PZ	1
4	2222430	SCREW AUTO.TC 7971 4,8X9,5	PZ	8
5	3224705	GUIDES	PZ	2
6	3236413	PAINTED FRAME		1
7	2222076	SCREW/SAW	PZ	8
8	2224140	ROLLER 6593	PZ	16
9	3225997	WHEEL /MAS.750	PZ	2
10	2223923	LOCK NUT	PZ	4
11	3210646	ISOTEC/SAW	PZ	2
12	3225043	REAR PROTECTION MS.700	PZ	1
13	2211200	WHEELS	PZ	2
14	2226503	SPLIT PIN	PZ	2
15	3224814	CAP GPN260R 80803 80X80X3 C	PZ	1

FRAME PART 2



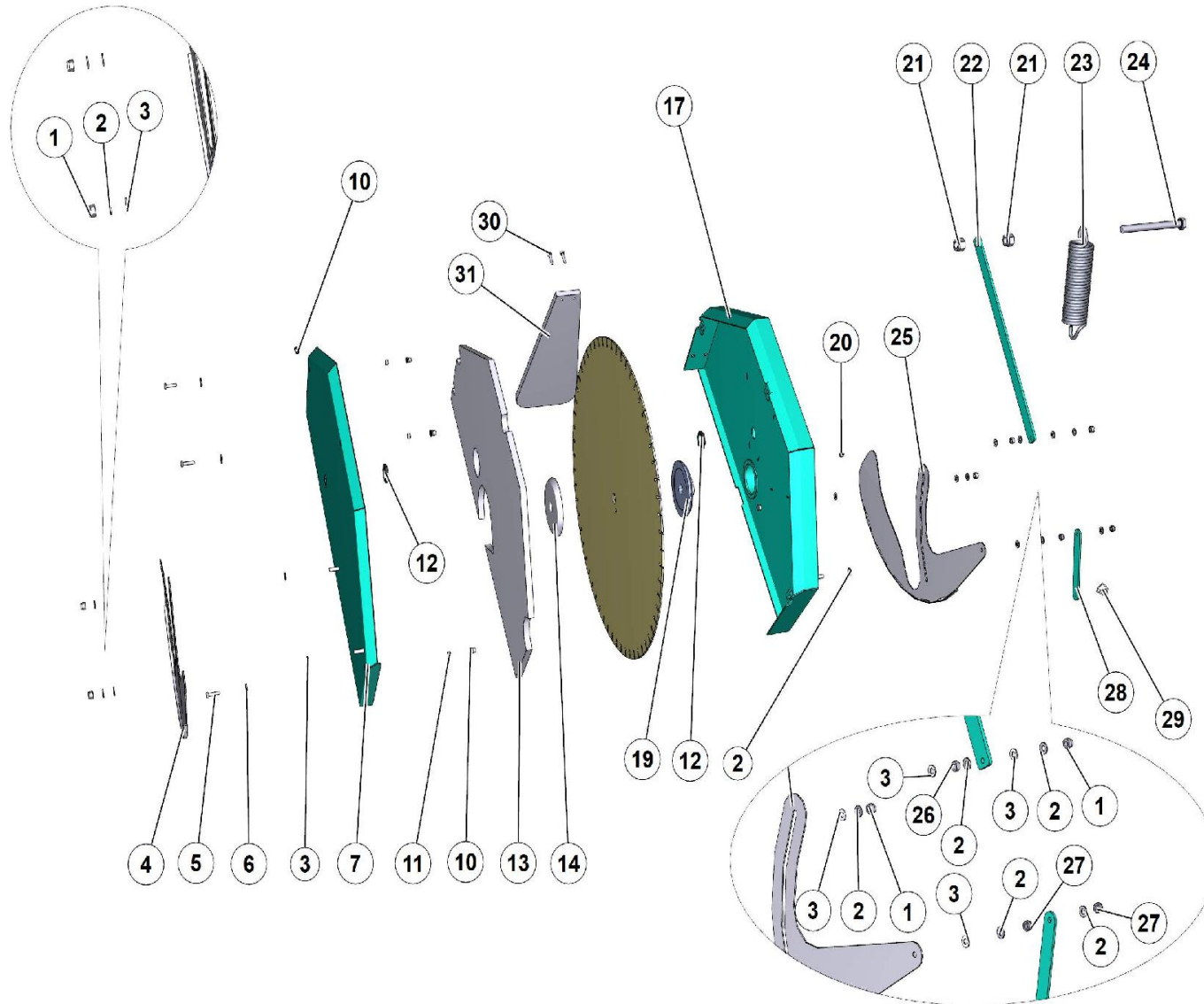


N.	CODE	DESCRIPTION	UM	QTY
1	2222036	BOLT	PZ	1
2	3211038	WASHER	PZ	14
3	2213840	FORK	PZ	1
4	2223921	NUT	PZ	7
5	2222007	BOLT	PZ	1
6	3226028	NUT	PZ	1
7	3226015	STOP RING 7435 E/75	PZ	1
8	1207088	OIL SEAL 45X62X8	PZ	1
9	2227240	STOP RING	PZ	2
10	3226506	BEARING 6206 2RS1-CM	PZ	2
11	3225994	SUPPORT	PZ	1
12	3231335	PLATE		1
13	2222076	SCREW/SAW	PZ	3
14	2223570	NUT	PZ	2
15	2222530	SCREW	PZ	4
16	2222084	SCREW	PZ	4
17	3227133	NUT	PZ	2
18	3210411	SPACER	PZ	2
19	2224140	ROLLER 6593	PZ	6
20	2222176	SCREW	PZ	2
21	3226003	CARTER	PZ	1



N.	CODE	DESCRIPTION	UM	QTY
22	2229400	KEY	PZ	1
23	3236651	BLADE SHAFT	PZ	1
24	3226004	CARTER	PZ	1
25	2222420	SCREW	PZ	6
26	2241574	SPANNER	PZ	1
27	3231301	MS 750 MOTOR PLATE	PZ	2
28	2223700	NUT/MN	PZ	2
29	3236216	PLATE		1
30	3225956	SPACER BRACKET MS.700	PZ	2
31	3233916	DISC T/L 401 D.40X12,5X8	PZ	1
32	3231011	Knob	PZ	1
33	2223920	SELF-LOCKING NUT	PZ	2
34	3231336	PLATE		1
35	3225993	SUPPORT	PZ	1
36	2224340	ROLLER/MORTAR PUMP	PZ	2
37	2222073	SCREW/MN	PZ	2
38	2288887	HANDLE	PZ	1
39	3226001	HANDLE	PZ	1
40	3203921	SCREW	PZ	1
41	2223923	LOCK NUT	PZ	3
42	3233950	MS 750 HEAD	PZ	1

CUTTING HEAD



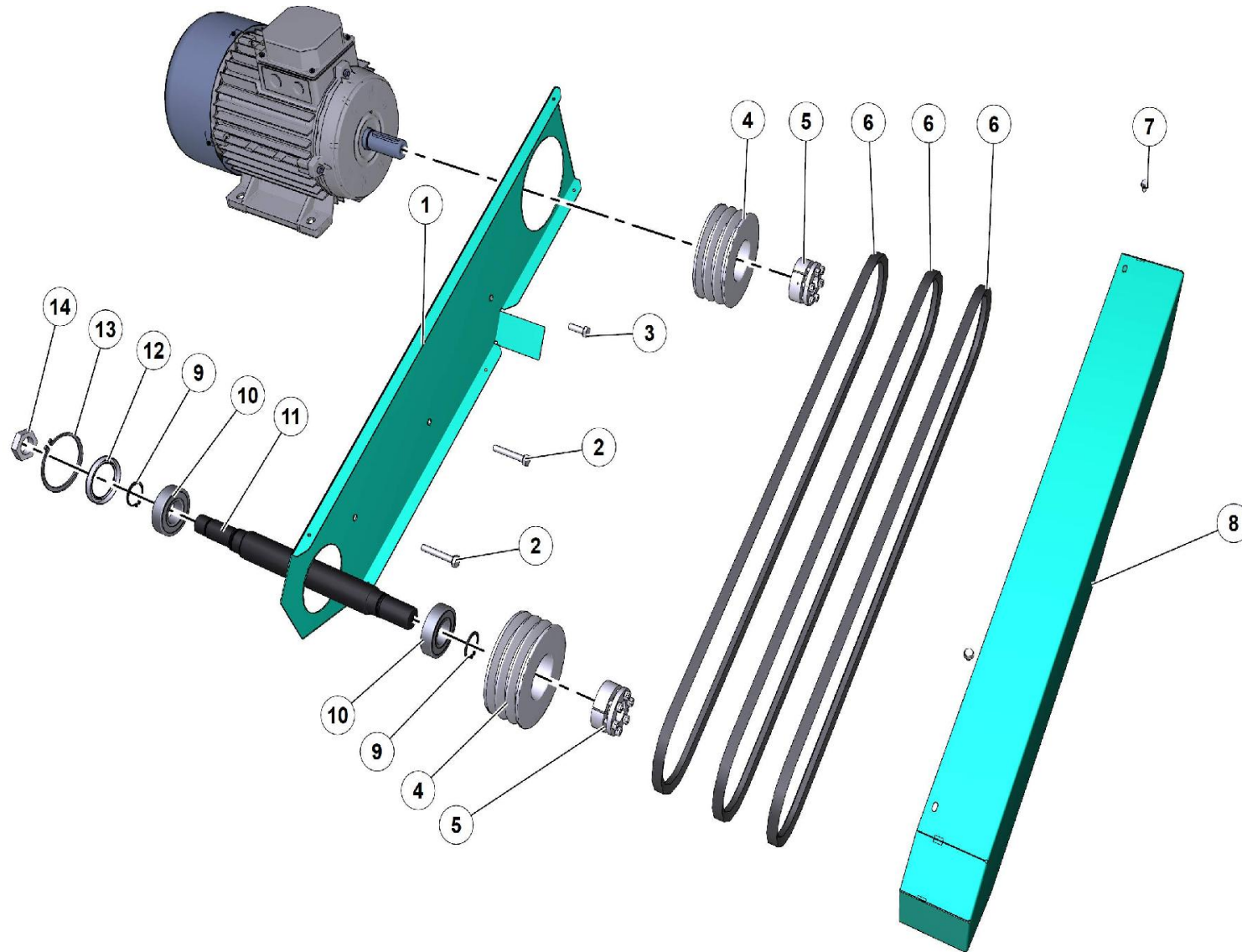


N.	CODE	DESCRIPTION	UM	QTY
1	2223923	LOCK NUT	PZ	4
2	2224140	ROLLER 6593	PZ	8
3	3210576	WASHER	PZ	8
4	3237368			1
5	2222010	SCREW	PZ	3
6	2224531	WASHER	PZ	3
7	3237367			1
10	3231185	THREADED INSERT M6	PZ	3
11	3211470	NUT	PZ	3
12	1283984	NUT	PZ	2
13	3236657	PANEL		1
14	3231340	OUTER FLANGE MS.750	PZ	1
17	3237366			1
19	3231339	INTERNAL FLANGE/MS.750	PZ	1
20	2230550	GREASER/MN	PZ	1
21	3201033	NUT/MN	PZ	2
22	3225548	BAR	PZ	1
23	3225996	SPRING	PZ	1
24	3226040	SCREW TE 8.8 5737 M18X200 Z	PZ	1
25	3237369			1
26	2223570	NUT	PZ	1



N.	CODE	DESCRIPTION	UM	QTY
27	3210623	NUT	PZ	2
28	3226039	TROLLEY STOP MS.700 PAINTED	PZ	1
29	3224628	SPLIT PIN	PZ	1
30	2222022	SCREW	PZ	2
31	3233988	SPLASH GUARD	PZ	1

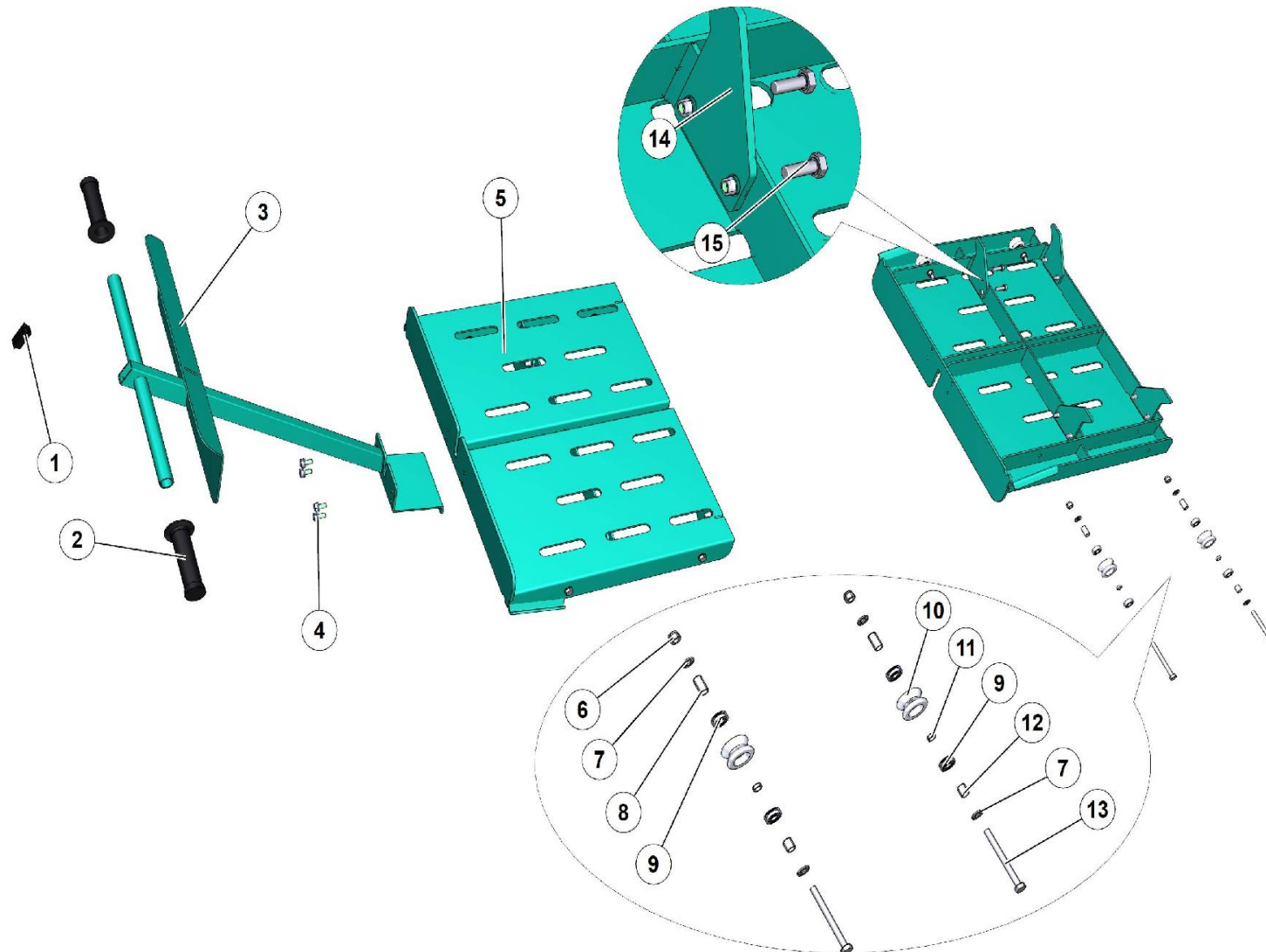
TRANSMSSION





N.	CODE	DESCRIPTION	UM	QTY
1	3236956	Guard	PZ	1
2	2222176	SCREW	PZ	2
3	2222076	SCREW/SAW	PZ	1
4	3236209	PULLEY	PZ	2
5	3236650	COUPLING	PZ	2
6	2211988	BELT	PZ	3
7	2222420	SCREW	PZ	2
8	3236954	Guard	PZ	1
9	2227240	STOP RING	PZ	2
10	3226506	BEARING 6206 2RS1-CM	PZ	2
11	3236651	BLADE SHAFT	PZ	1
12	1207088	OIL SEAL 45X62X8	PZ	1
13	3226015	STOP RING 7435 E/75	PZ	1
14	3226028	NUT	PZ	1

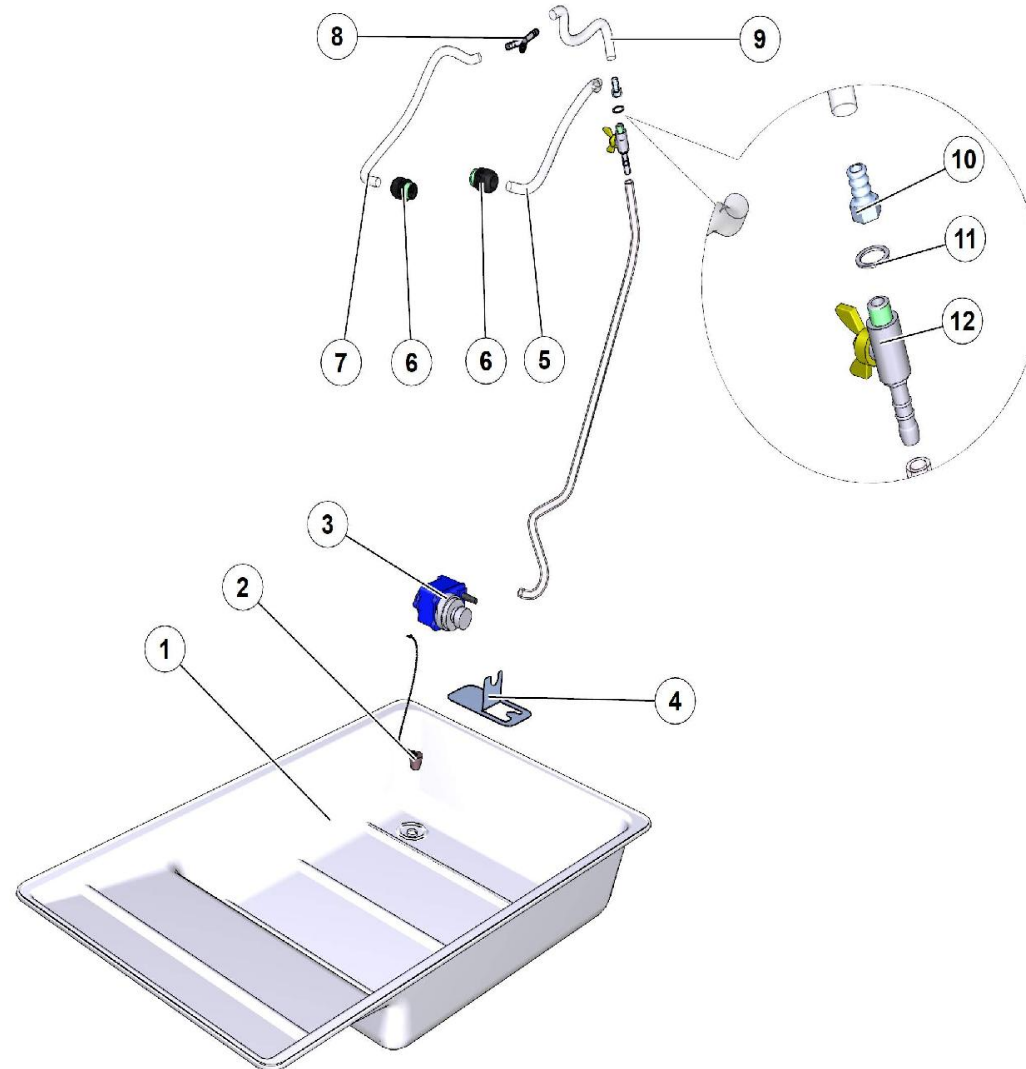
CARRIAGE





N.	CODE	DESCRIPTION	UM	QTY
1	3223713	PLUG	PZ	1
2	2288887	HANDLE	PZ	2
3	3237371	HANDLE	PZ	1
4	3227870	SCREW TRILOB. TEFR 8X16 Z	PZ	4
5	3234187	MS 750 CARRIAGE KIT	PZ	1
6	2223923	LOCK NUT	PZ	4
7	2224140	ROLLER 6593	PZ	8
8	3224566	SPACER	PZ	4
9	3204945	BEARING	PZ	8
10	3236244	WHEEL	PZ	4
11	3207393	SPACER	PZ	4
12	3224680	SPACER	PZ	4
13	2222110	SCREW	PZ	4
14	3236213	ANTI-TIPPING TROLLEY MS.750 RIGHT	PZ	8
15	2222076	SCREW/SAW	PZ	8

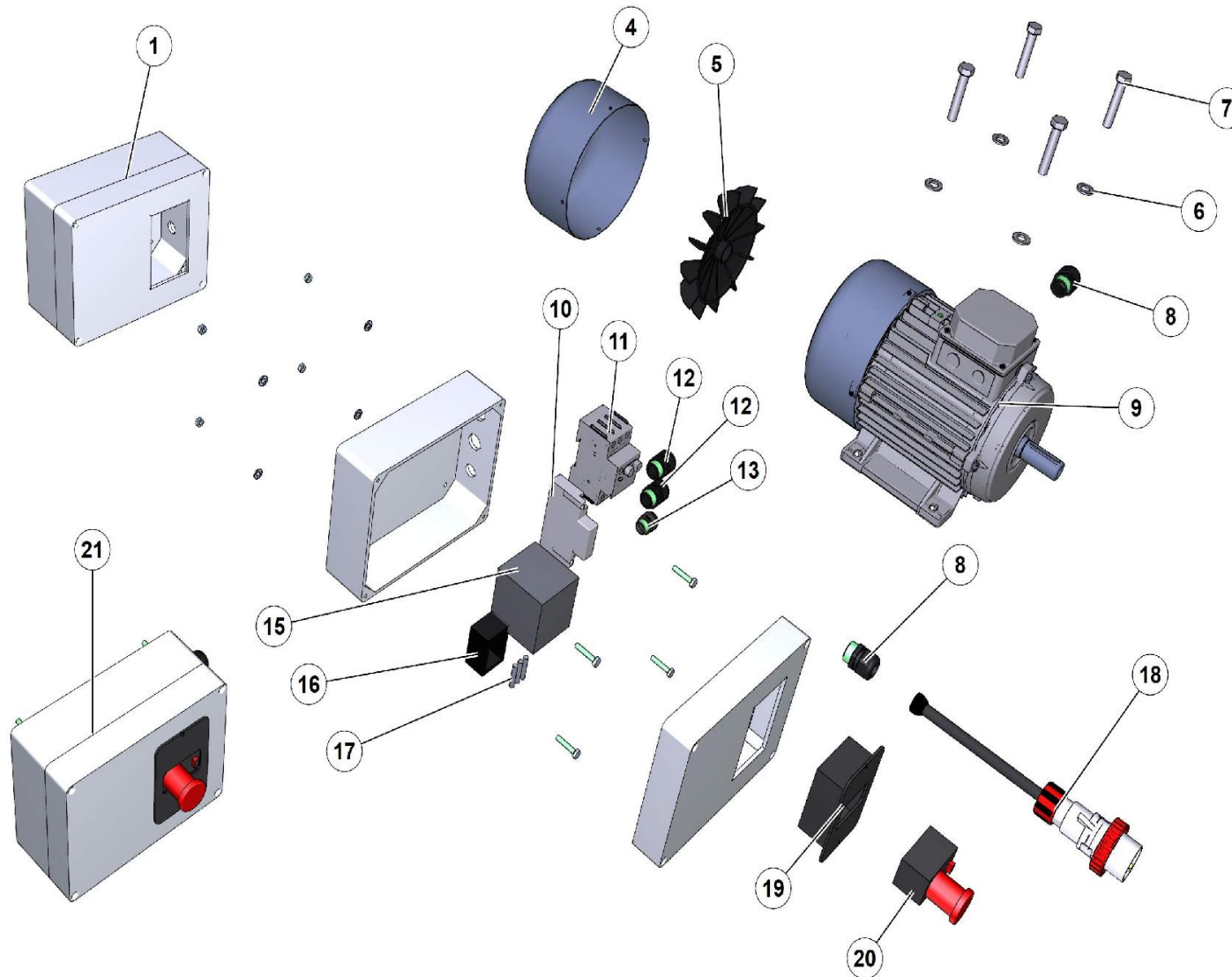
WATER PLANT





N.	CODE	DESCRIPTION	UM	QTY
1	3225642	WATER TRAY MS.700	PZ	1
2	3230641	PLUG	PZ	1
3	3208726	Water pump S3 230 V 50/60 Hz	PZ	1
4	3236243	SUPPORT	PZ	1
5	2292365	LINE/SAW	M	1
6	3201503	CABLE CLAMP	PZ	2
7	2292365	LINE/SAW	M	1
8	2292355	Y-CONNECTOR	PZ	1
9	2292356	TUBE	M	1
10	2226778	HOSE JOINT/SAW	PZ	1
11	2208820	WASHER	PZ	1
12	2218075	TAP	PZ	1

ELECTRIC MOTOR AND PANEL





N.	CODE	DESCRIPTION	UM	QTY
1	3236266	ELECTRIC BOX/MS750 380V	PZ	1
4	3236175	FAN COVER/CONC.MIXER		1
5	3236176	FAN COVER/CONC.MIXER		1
6	3211038	WASHER	PZ	4
7	2222084	SCREW	PZ	4
8	3201503	CABLE CLAMP	PZ	2
9	3225562	MOTOR KW5,5 380V/50-60HZ *VTB112MB-4	PZ	1
10	3236262	COIL 400V 50/60HZ	PZ	1
11	3237169	SWITCH SM1P 17-23A	PZ	1
12	3201442	CABLE CLAMP/SAW	PZ	2
13	3201217	CABLE CLAMP	PZ	1
15	3210536	Transformer	PZ	1
16	3227742	PRIMARY FUSE HOLDER 6.3X32 1A	PZ	1
17	3227783	FUSE 6.3X32 1A 500V	PZ	3
18	3231334	PLUG		1
19	3236265	SWITCH PROTECTION	PZ	1
20	3236264	PUSH BUTTON	PZ	1
21	3236200	ELECTRICAL BOARD/MS.750 380V/50HZ	PZ	1



Access Platform Division

Via San Francesco d'Assisi, 8 - 46020 Pegognaga (Mantova) - ITALY Tel. +39 0376
554011 - Fax +39 0376 559855

www.imergroup.com

Building Equipment Division

Via della Meccanica, 39 (Zona Industriale Sentino) - 53040 Rapolano Terme
(Siena) - ITALY - Tel. +39 0577 97341 - Fax +39 0577 704077

www.imergroup.com